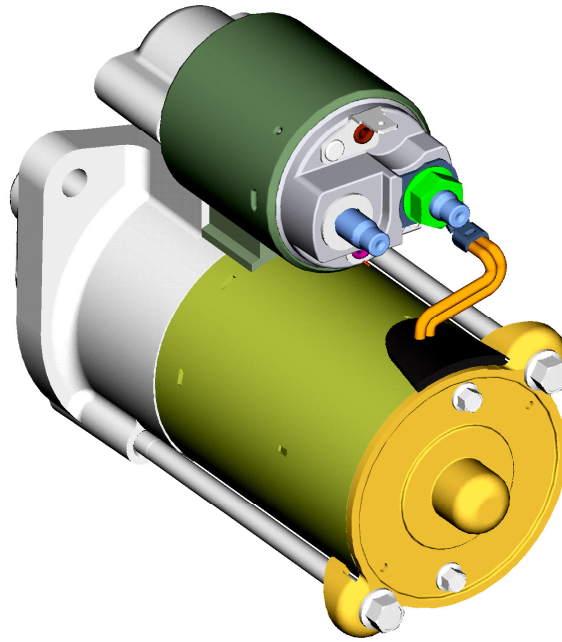


Starter Motor



COMSTAR Starter motors are 4 poles, Permanent Magnet or Field Wound, Epicyclical gear reduction with flexible packaging and optimized performance

Product Specifications

Benefits:

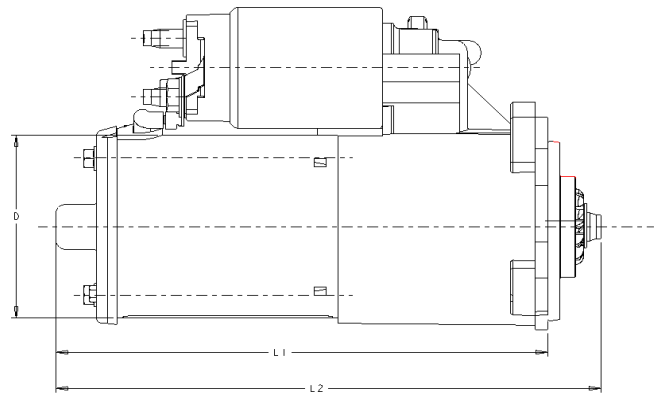
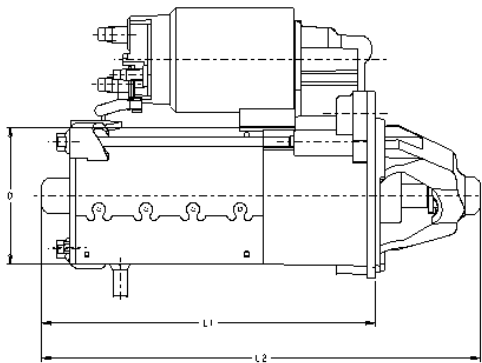
- Proven reliability and long, trouble free product life.
- High output from a compact and lightweight design.
- Flexible design allows rapid development to satisfy unique customer requirements.
- Plating specification meets ELV requirements.
- Standardisation of parts and simplified construction ease serviceability.

Features:

- Durability
55000 starts
- Reliability
Vibration and environmental resistance to most OEM spec.
- Corrosion Protection
240 hours salt spray corrosion protection plating (960 hours optional). Enhanced and fully sealed as optional features.
- Enhanced durability
150k-250k starts to meet stop-start applications.

Specifications and descriptions contained in this document were in effect at the time of publication. COMSTAR reserves the right to discontinue any equipment or change the specifications without notice and without incurring obligation.

Starter Motor



Range:

Power (kW)	Diameter D (mm)	Length L1(mm)	Length L2(mm)	Weight (kg)	Application
0.7-1.0	60			2.4	1.2 L-P
0.9-1.5	68	155	207	2.7	4.0L-P / 1.4L-D
1.1-1.7	68	163	215	2.9-3.2	4.0L-P / 1.6L-D
1.7-1.9	68	163	215	3.2-3.5	4.0L-P / 1.6L-D
1.9-2.5	79	200	255	4.3	1.8L -D
3.0-3.5	86	209	240	5.5	4.0L -D

Performance:

Power range (KW)	1.1-1.7	1.7-1.9	1.9-2.5	3.0-3.5
Speed @ 5Nm(rpm)	1900-2200	2150-2300	1450 (@15Nm)	1400 (@22Nm)
Current @ 5NM(Amps)	160-220	165-185	400 (@15Nm)	690 (@22Nm)
Efficiency @ 5Nm (%)	71	66.5	70 (@15Nm)	70 (@22Nm)

Specifications and descriptions contained in this document were in effect at the time of publication. COMSTAR reserves the right to discontinue any equipment or change the specifications without notice and without incurring obligation.

COMSTAR Automotive Technologies Pvt Ltd, Melrosapuram Post, Keelakaranai Village, Maraimalai Nagar, Chengalpattu-603204.